

Miniature Circuit Breaker with 6000A short-circuit breaking capacity



1.Compliant standards

IEC60898-1

2.Major function

ON/OFF Circuit, Overload protection, short circuit protection, positive isolation,

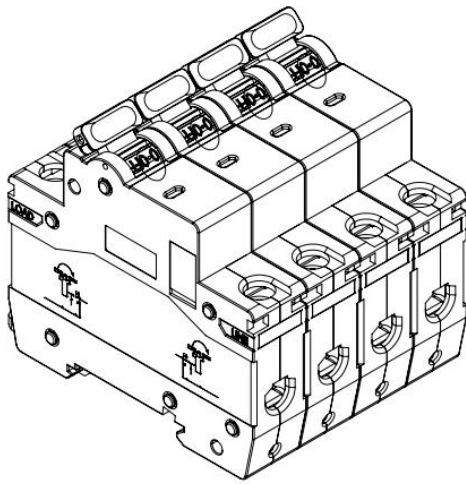
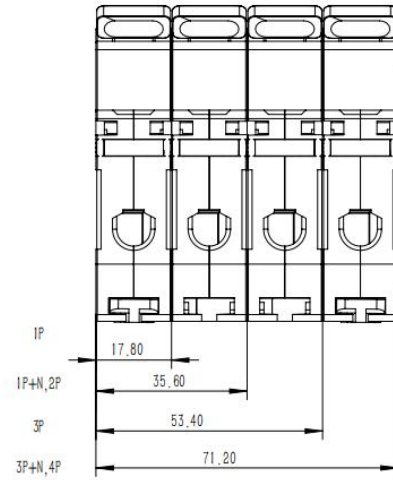
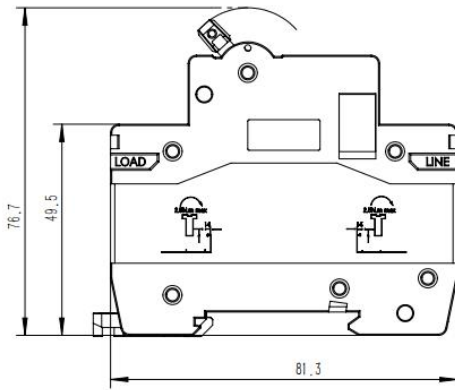
3. Compliant certification

CE

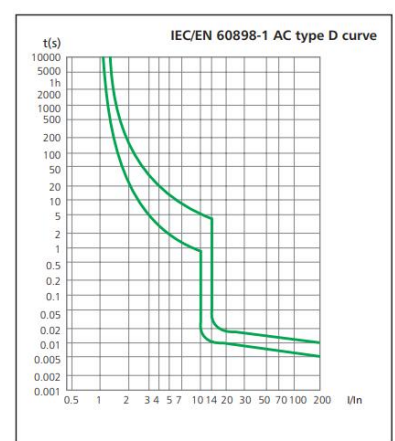
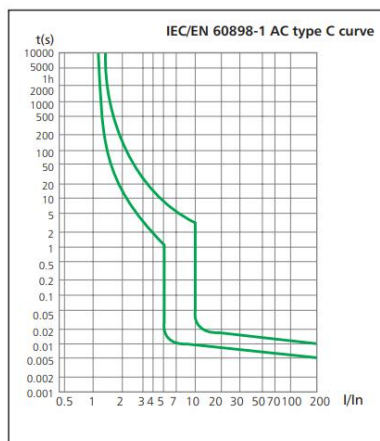
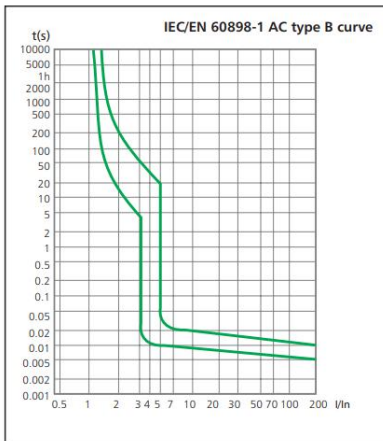
4.Technical parameter

| | |
|---|--|
| Model | LRM2-63 |
| No.Of Poles | 1P, 2P, 3P, 4P |
| Rated Current (In):(A) | 1A,2A,3A,6A,10A,16A,20A,25A,32A,40A,50A,63A |
| Rated voltage(Un):(V) | 220V~/230V~/240V~(1P), 380V~/400V~/415V~ (2P,3P,4P); |
| Rated frequency:(Hz) | 50/60Hz |
| Rated Insulation voltage Ui:(V) | 415V |
| Rated impulse withstand voltage(1.2/50us)Uimp:(V) | 4000V |
| Rated short-circuit Breaking capacity Icn:(A) | 6000A |
| Instantaneous Tripping current: | B Type(3In~5In) C Type(5In~10In) D Type(10In~20In) |
| Protection Degree | IP20 |
| Contact position indication | Red/Green |
| Ambient temperature | -5~40°C |
| Method of mounting | On 35mm Din rail |
| Terminal connection type | Screw terminal, Pillar terminal with clamp |
| Connection capacity: | 16mm ² flexible or 25mm ² rigid up to 25A ratings ,25mm ² flexible or 35mm ² rigid from 32A to 63A ratings |
| Tightening torque | 2.5N.m |
| Connection | From top and bottom |

5. Overall & Installation Dimensions



6. Characteristic Curve



7. Overload Current Protection Characteristics

| Test Procedure | Type | Test Current | Initial State | Tripping or Non-tripping Time Limit | Expected Result | Remark |
|----------------|---------|--------------|---------------|--|-----------------|---|
| A | B, C, D | 1.13In | cold | $t \leq 1h$ | no tripping | |
| B | B, C, D | 1.45In | after test a | $t < 1h$ | tripping | Current in the 5 s in the increase of stability |
| C | B, C, D | 2.55In | cold | $1s < t < 60s (In \leq 32A)$ $1s < t < 120s (In > 32A)$ | tripping | |
| D | B | 3In | cold | $t \geq 0.1s$ | no tripping | Turn on the auxiliary switch to close the current |
| | C | 5In | | | | |
| | D | 10In | | | | |
| E | B | 5In | cold | $t < 0.1s$ | tripping | Turn on the auxiliary switch to close the current |
| | C | 10In | | | | |
| | D | 20In | | | | |

8.Wiring Diagram

